

Model No: C1BIR24



Features:

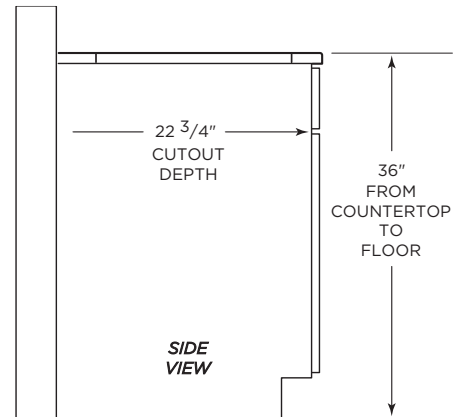
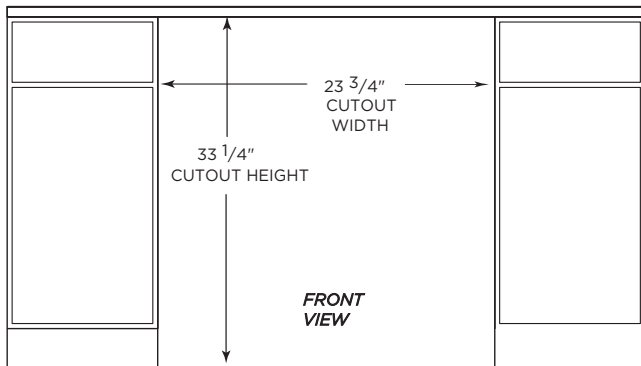
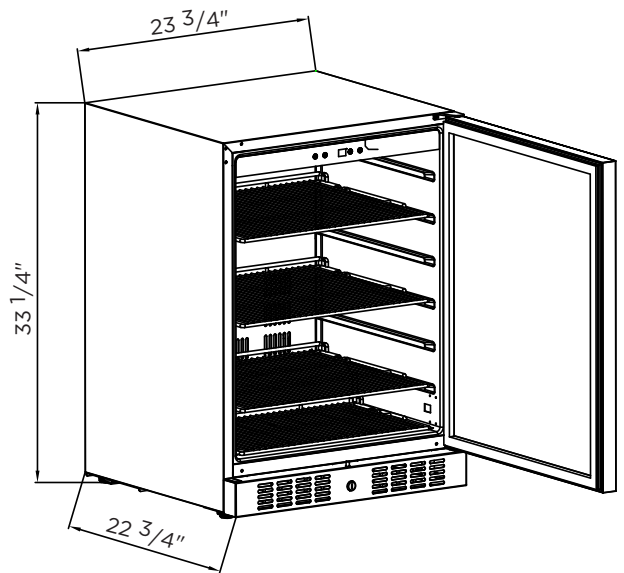
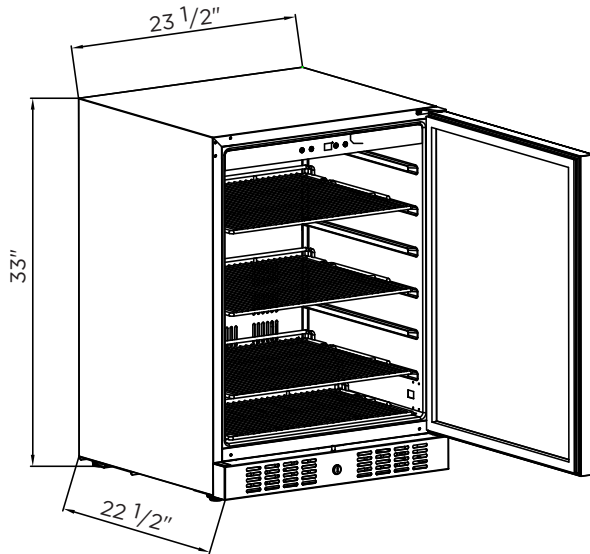
- Outdoor Rated, UL Certified, DOE certified
- Coyote professional style handle
- Exterior constructed with 304 SS
- Hidden articulating hinges for flush installation
- Left or right swing options
- Front, bottom ventilation for freestanding or built-in applications
- Graphite interior with interior LED lighting
- Digital thermostat for precision temperature control
- Standard lock
- Automatic defrost
- Premium Stainless steel shelving
- 5.5 cubic foot capacity

Dimensions:

- Overall: (H) 33" x (W) 23 1/2" x (D) 22 1/2"
- Cutout: (H) 33 1/4" x (W) 23 3/4" x (D) 22 3/4"

C1BIR24 PRODUCT SPECS

DIMENSIONAL RENDERINGS



Overall Product Dimensions			
Model No.	Height	Width	Depth
C1BIR24-L/R	33"	23 1/2"	22 1/2"

Cutout Dimensions for Island			
Model No.	Height	Width	Depth
C1BIR24-L/R	33 1/4"	23 3/4"	22 3/4"

Model No.	Rated Voltage	Amps	Hz	Refrigerant	Power Input	High Side Pressure	Low Side Pressure
C1BIR24-L/R	115V AC	2	60	R600a/1.06Oz	100 W	270 PSI	103 PSI

Electrical Requirements:

- ✓ This refrigerator must be installed in accordance with National Electric Codes, as well as state, municipal and local codes
- ✓ The correct voltage, frequency and amperage must be supplied to the refrigerator from a grounded circuit which is protected by a properly sized circuit breaker or time delay fuse.
- ✓ The proper voltage, frequency and amperage ratings are listed on the product rating plate.
- ✓ The refrigerator must be properly grounded at all times when electrical power is applied.
- ✓ Use the legs of the unit to properly level it in your cabinet.
- ✓ Never allow any debris to build up underneath, or in front of the unit, blocking ventilation.

Important Note to Installer: This file is not intended to replace your Owners' Manual which contains specific safety requirements and consumer guidelines. Please refer to your Owners' Manual prior to installing or operating your refrigerator.