



Evo, Inc.
 20560 SW 115th Ave.
 Tualatin, OR 97062
 P 503-626-1802 • F 503-213-5869
 www.evoamerica.com

Model# 10-0095

Evo® Affinity 25G - Residential



Drop-In Gas Cooktop

OUTDOOR

Circular Flattop Grill Designed To Create A Social Cooking Space In Residential Outdoor Kitchens

- 25" (635mm) circular black seasoned steel cooking surface.
- Two temperature zones between inner and outer surface.
- Variable temperatures 225°F to 525°F (121°C to 274°C).
- With LP Propane gas 27,600 BTUs.
- With Natural Gas, 31,600 BTUs.
- Knobs separately control inner and outer burners.
- Electronic push button ignition.
- Natural Gas standard, and LP Propane gas option.

Designed For Custom Outdoor Kitchens

- Drop-in installation required.
- Install directly to metal, or to combustible cabinet construction with 3/8" min. clearance.
- Install to end base or right angle counter configurations.
- Circular cook surface and radius control panel opens design possibilities.

Easy Operation, Easy Maintenance, Easy Cleanup

- Cooking techniques: sauté, braise, flattop (plancha) grilling, deep fry, pan fry, roast, poach, steam, toast.
- Cook surface is extremely durable and easy to clean.
- Stainless steel burners are protected against spill overs.
- Stainless steel drip pan surrounds cook surface with forward spillover slots to dual spill collection trays.
- Spill collection trays are located in doors at each outward side of control panel.

SHORT FORM SPECIFICATIONS:

The Evo Affinity 25G has a 25" (635mm) diameter black seasoned steel cook surface heated underneath by inner and outer gas tube burners. Foods can be prepared directly on the cook surface, and pots and pans may be used as in traditional stove top cooking (either separately or simultaneously). Surface temperatures range from 225°F to 525°F (121°C to 274°C) from the center to the outside edge. Operating on either Natural Gas or Propane LP Gas, the Affinity 25G Cooktop is an ideal solution for creating a social cooking space in your outdoor kitchen.

Optional Accessory



25G Trim Kit
 Countertop Cutout
 11-0126-ATK

Data

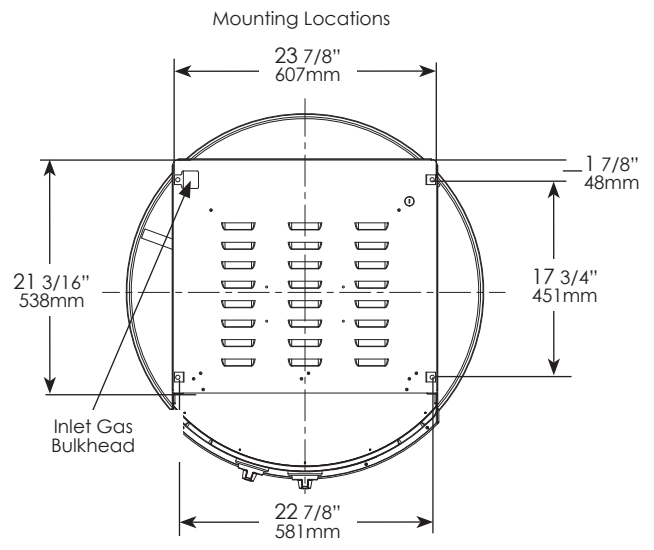
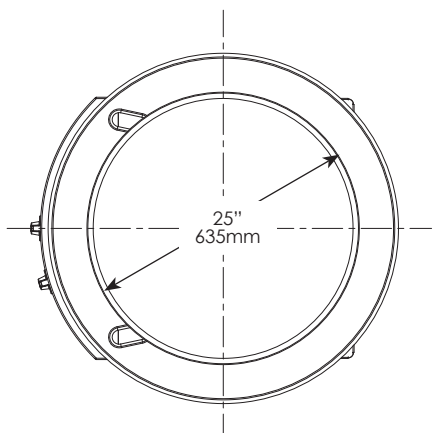
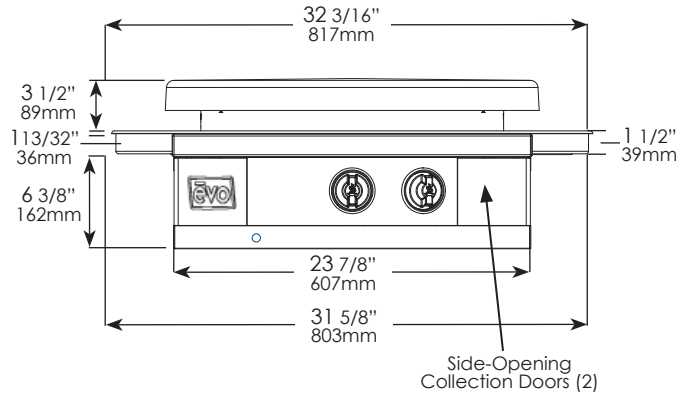
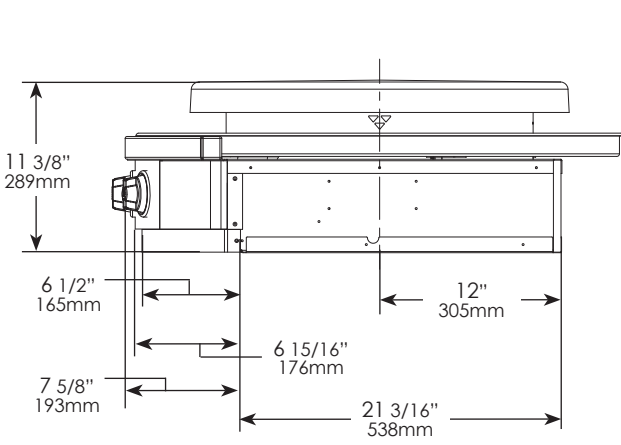
Model	Cook Surface	Dimensions		BTU Rate	Net Weight	Ship Weight
		H	W			
10-0095	25 Inches	11 3/8" 289mm	32 3/16" 817mm	NG 27,600 LP 31,600	97 lbs 45 kg	177 lbs 80.2 kg

Due to ongoing product improvement, specifications are subject to change without notice.





Model# **10-0095** **Evo® Affinity 25G - Residential**



INSTALLATION REQUIREMENTS Cooking surface must be installed level. Outdoor installation with minimum 36" (914mm) to adjacent combustible construction extending above the top of the appliance and 12" (605mm) from sides and back.	
NATURAL GAS CONNECTION OPERATING PRESSURE No regulator, connect to an outlet pressure of 7" water column. INLET / SUPPLY CONNECTION 1/2" FNPT. 12' Hose with 1/2" FNPT Quick Disconnect Supplied. 1/2" NPT to 3/8" Flare supplied. BTUs: 27,600 CONNECTION LOCATION Gas pipe right rear chassis.	LP PROPANE CONNECTION OPERATING PRESSURE Regulator is set for an outlet pressure of 11" water column. INLET / SUPPLY CONNECTION 1/2" FNPT Inlet. 5' Hose & Regulator with QCC1 Supplied. 1/2" NPT to 3/8" Flare supplied. BTUs: 31,600 CONNECTION LOCATION Gas pipe right rear chassis.
DIMENSIONS MAXIMUM (H X W) 11 3/8" x 32-3/16" (289mm x 817mm) COOK SURFACE 25" diameter (605mm)	WEIGHT NET: 97 lb EST. (45 kg) SHIP: 177 lb EST (80.2 kg) CRATE DIMENSIONS: 42" x 42" x 24" (1066mm x 1066mm x 610mm)
STANDARD FEATURES <ul style="list-style-type: none"> • 25" circular black seasoned steel cook surface over dual independent manually controlled gas burners. • 2 removable spill over trays contained in front doors. • Electronic push button ignition. • Stainless steel lid. • Mounting brackets included. 	ACCESSORIES INCLUDED <ul style="list-style-type: none"> • Professional grill surface cleaning kit (3M brand) - Includes handle, cook surface cleaning pad and screen. • 2 stainless steel spatulas, 1 stainless steel scraper. • Owner's Manual, Use and Care Instructions & Evo Color Illustrated Cookbook.